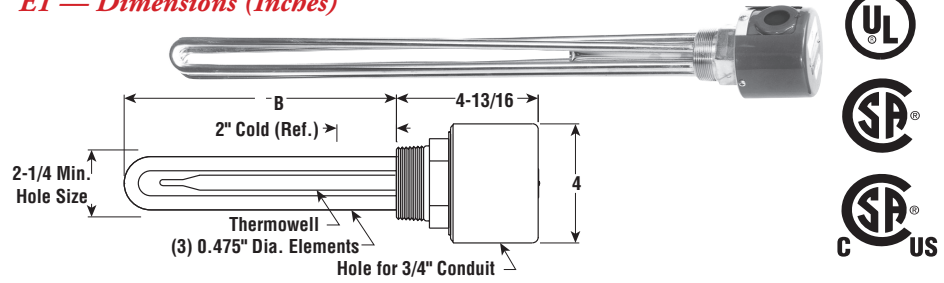


# Immersion

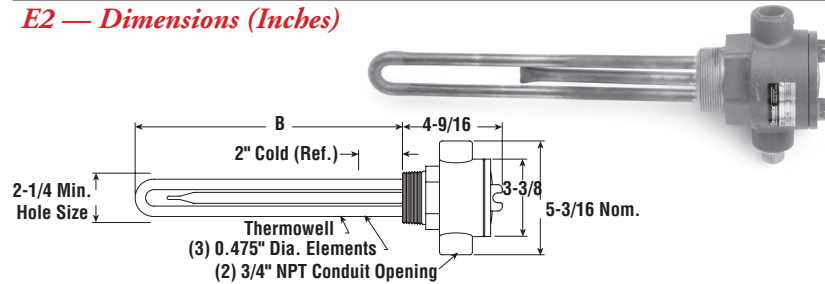
## EMTS-3 Process Water Applications

- 2" NPT Stainless Steel Passivated Screw Plug
- Stainless Steel Passivated Sheath Elements
- High Watt Density (38 - 47 W/in<sup>2</sup>)
- 3 - 18 kW
- Without Thermostat
- 208, 240 and 480 Volt, 1 and 3 Phase
- General Purpose, Moisture Resistant/Explosion Resistant Terminal Enclosure or Moisture Resistant

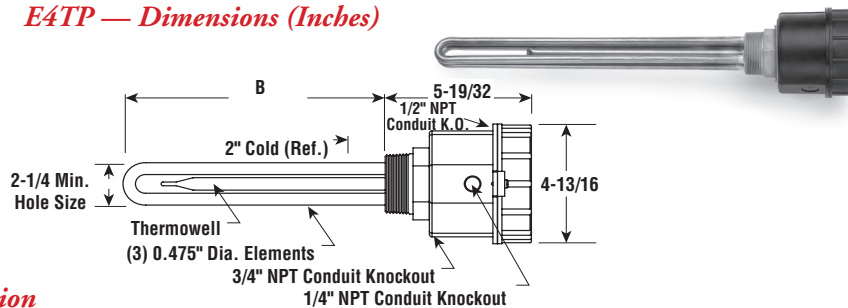
### E1 — Dimensions (Inches)



### E2 — Dimensions (Inches)



### E4TP — Dimensions (Inches)



### Specifications and Ordering Information

						E1 General Purpose <sup>1</sup>				E2 Moisture Resistant/ Explosion Resistant <sup>2</sup>				E4 Moisture Resistant			
kW	Volts	Phase	W/in <sup>2</sup>	No. Elem.	DIM B (In.)	Model	Stock	PCN	Wt. (Lbs.)	Model	Stock	PCN	Wt. (Lbs.)	Model	Stock	PCN	Wt. (Lbs.)
3	208	3	47	3	7-3/4	EMTS-330	NS	092021	5	EMTS-330E2	NS	092080	8	EMTS-330E4TP	NS	061794	5
3	240	1	47	3	7-3/4	EMTS-330	NS	092030	5	EMTS-330E2	NS	092099	8	EMTS-330E4TP	NS	061807	5
3	240	3	47	3	7-3/4	EMTS-330	NS	092048	5	EMTS-330E2	NS	092101	8	EMTS-330E4TP	NS	061815	5
3	480	1	47	3	7-3/4	EMTS-330	NS	092056	5	EMTS-330E2	NS	092110	8	EMTS-330E4TP	NS	061823	5
3	480	3	47	3	7-3/4	<b>EMTS-330</b>	<b>S</b>	<b>092064</b>	5	EMTS-330E2	NS	092128	8	EMTS-330E4TP	NS	061831	5
4.5	208	1	44	3	11-3/4	EMTS-345	NS	092136	6	EMTS-345E2	NS	092195	9	EMTS-345E4TP	NS	061840	6
4.5	208	3	44	3	11-3/4	EMTS-345	NS	092144	6	EMTS-345E2	NS	092208	9	EMTS-345E4TP	NS	061858	6
4.5	240	1	44	3	11-3/4	EMTS-345	NS	092152	6	EMTS-345E2	NS	092216	9	EMTS-345E4TP	NS	061866	6
4.5	240	3	44	3	11-3/4	EMTS-345	NS	092160	6	EMTS-345E2	NS	092224	9	EMTS-345E4TP	NS	061874	6
4.5	480	1	44	3	11-3/4	EMTS-345	NS	092179	6	EMTS-345E2	NS	092232	9	EMTS-345E4TP	NS	061882	6
4.5	480	3	44	3	11-3/4	EMTS-345	NS	092187	6	EMTS-345E2	NS	092240	9	EMTS-345E4TP	NS	061890	6
6	208	3	38	3	17-3/4	EMTS-360	NS	092267	6	EMTS-360E2	NS	092320	9	EMTS-360E4TP	NS	061911	6
6	240	1	38	3	17-3/4	EMTS-360	NS	092275	6	EMTS-360E2	NS	092339	9	EMTS-360E4TP	NS	061920	6
6	240	3	38	3	17-3/4	EMTS-360	NS	092283	6	EMTS-360E2	NS	092347	9	EMTS-360E4TP	NS	061938	6
6	480	1	38	3	17-3/4	EMTS-360	NS	092291	6	EMTS-360E2	NS	092355	9	EMTS-360E4TP	NS	061946	6
6	480	3	38	3	17-3/4	<b>EMTS-360</b>	<b>S</b>	<b>092304</b>	6	EMTS-360E2	NS	092363	9	EMTS-360E4TP	NS	061954	6
7.5	208	1	43	3	19-1/2	EMTS-375	NS	092371	6	EMTS-375E2	NS	092435	9	EMTS-375E4TP	NS	061962	6
7.5	208	3	43	3	19-1/2	EMTS-375	NS	092380	6	EMTS-375E2	NS	092443	9	EMTS-375E4TP	NS	061970	6
7.5	240	1	43	3	19-1/2	EMTS-375	NS	092398	6	EMTS-375E2	NS	092451	9	EMTS-375E4TP	NS	061989	6
7.5	240	3	43	3	19-1/2	EMTS-375	NS	092400	6	EMTS-375E2	NS	092460	9	EMTS-375E4TP	NS	061997	6
7.5	480	1	43	3	19-1/2	EMTS-375	NS	092419	6	EMTS-375E2	NS	092478	9	EMTS-375E4TP	NS	062009	6
7.5	480	3	43	3	19-1/2	EMTS-375	NS	092427	6	EMTS-375E2	NS	092486	9	EMTS-375E4TP	NS	062017	6
9	208	1	40	3	24-7/8	EMTS-390	NS	092494	7	EMTS-390E2	NS	092558	10	EMTS-390E4TP	NS	062025	7
9	208	3	40	3	24-7/8	EMTS-390	NS	092507	7	EMTS-390E2	NS	092566	10	EMTS-390E4TP	NS	062033	7
9	240	1	40	3	24-7/8	EMTS-390	NS	092515	7	EMTS-390E2	NS	092574	10	EMTS-390E4TP	NS	062041	7
9	240	3	40	3	24-7/8	<b>EMTS-390</b>	<b>S</b>	<b>092523</b>	7	EMTS-390E2	NS	092582	10	EMTS-390E4TP	NS	062050	7
9	480	1	40	3	24-7/8	EMTS-390	NS	092531	7	EMTS-390E2	NS	092590	10	EMTS-390E4TP	NS	062068	7
9	480	3	40	3	24-7/8	<b>EMTS-390</b>	<b>S</b>	<b>092540</b>	7	EMTS-390E2	NS	092603	10	EMTS-390E4TP	NS	062076	7

**Stock Status:** S = stock NS = non-stock  
**To Order**—Specify model, volts, phase, kW, PCN and quantity.

1. Heaters with General Purpose Enclosures are UL Listed & CSA Certified except Models with \*(Exceeds 48 Amps).
2. Heaters with Moisture Resistant/Explosion Resistant Enclosures are <sub>C</sub>CSA<sub>US</sub>® Certified except Models with \*(Exceeds 48 Amps).

**FASTShip**

Same-day shipping on stock item orders received before 4 pm CST.  
 3-day shipping on assembly-stock items.